

## VLMST14 14kW Timer

A 14kW Infrared Timer for use with the Victory Modular Strap Heater Units or other Industrial heat output applications.

The multifunction timer unit is housed in a grey metal casing with a mains rotary switch, an electronic timer with a range of time settings from 0.05 seconds up to 300 hours, 3 outputs and mains input and an activation button for easy repeat operations, once your settings have been set.

### Controlled, efficient heating

- For use in indoor applications
- Powder coated cast aluminium casing
- IP20 rated
- Simple activation button for repeat operations
- Multi function timer
- 3-Phase with Max. current rating of 36A
- Easy installation
- Provides opportunity for energy saving

### Applications

- Industrial process operations
- Warehouse heating
- Factory heating

| Code    | Finish      | Colour              |
|---------|-------------|---------------------|
| VLMST14 | Casing only | RAL7032 Pebble Grey |

Suitable for any electrical device with load up to 14kW.



VLMST14



# Technical Data

## VLMST14 14kW Timer

### Specifications

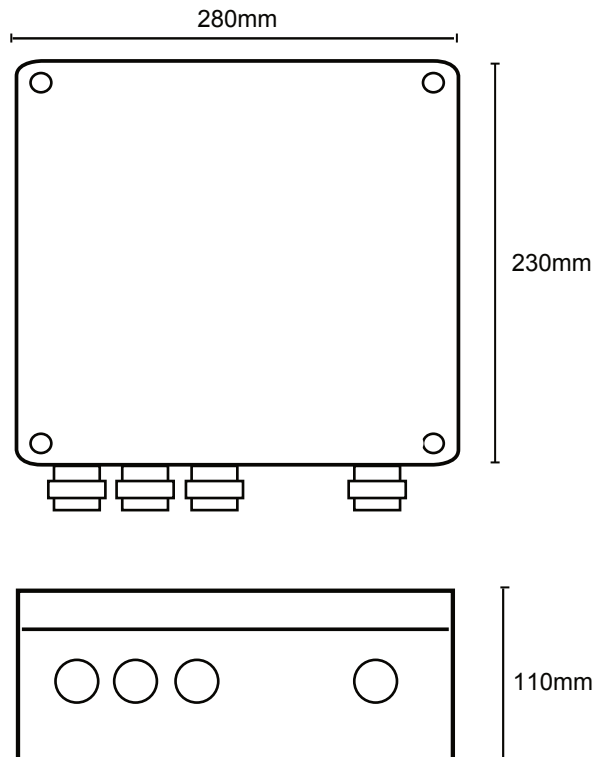
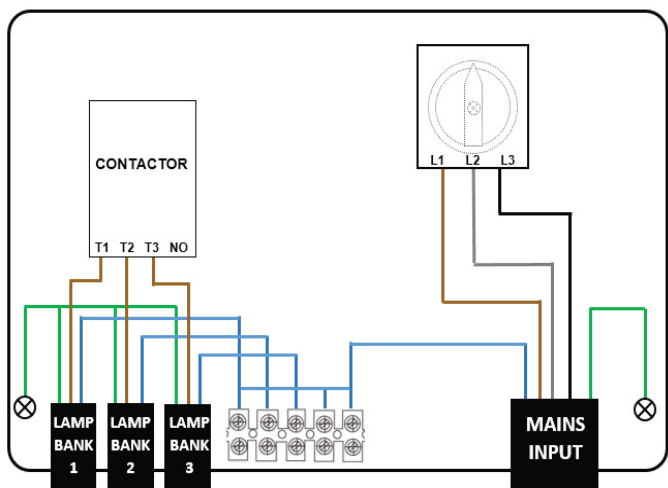
Voltage: 380-415V 3-Phase  
 Maximum wattage: 14000W  
 IP Rating: IP20

#### Timing ranges:

Full scale 12 0.02 to 1.2s  
 0.20 to 12s  
 2 to 120s  
 (pre-set to):- **0.20 to 12min**  
 2 to 120min  
 0.20 to 12h  
 2 to 120h

Full scale 30 0.05 to 3s  
 0.5 to 30s  
 5 to 300s  
 0.5 to 30min  
 5 to 300min  
 0.5 to 30h  
 5 to 300h

### Wiring & Dimensions



Victory Lighting (UK) Ltd  
 10 Chartmoor Road, Leighton Buzzard, Bedfordshire, LU7 4WG  
[www.victorylighting.co.uk](http://www.victorylighting.co.uk) | [e sales@victorylighting.co.uk](mailto:sales@victorylighting.co.uk) | [t +44 \(0\)1525 487960](tel:+441525487960)

© Victory Lighting (UK) Ltd 2020  
 The information contained in this literature is for general information purposes only. Victory Lighting (UK) Ltd endeavours to keep the information up to date and correct, but makes no representations or warranties of any kind, express or implied, about the completeness, accuracy, reliability, suitability or availability with respect to the information, products, services, or related graphics contained in this literature.

Victory Lighting (UK) Ltd accepts no liability for any loss or damage including without limitation, indirect or consequential loss or damage, or any loss or damage whatsoever arising from loss of data or profits arising out of, or in connection with, the use of this literature.

Distributed by