

VLPCB-IND1 INDUSTRIAL CONTROLLER

A 7.5kW Infrared Controller offering a simple cost effective solution for controlling temperature and power percentage for small industrial applications.

The multifunction controller unit is housed in a grey metal casing with a mains rotary switch. The electronic controller allows for desired Temperature to be set up to 300°C and the Power setting up to 100%. It has 3 outputs and mains input. Three memory options allows for your regular settings to be easily accessed.

We recommend the VLPCB-IND1 controller for use with our Modular Heat-Tech Unit (Model No. HT14)

Controlled, efficient heating

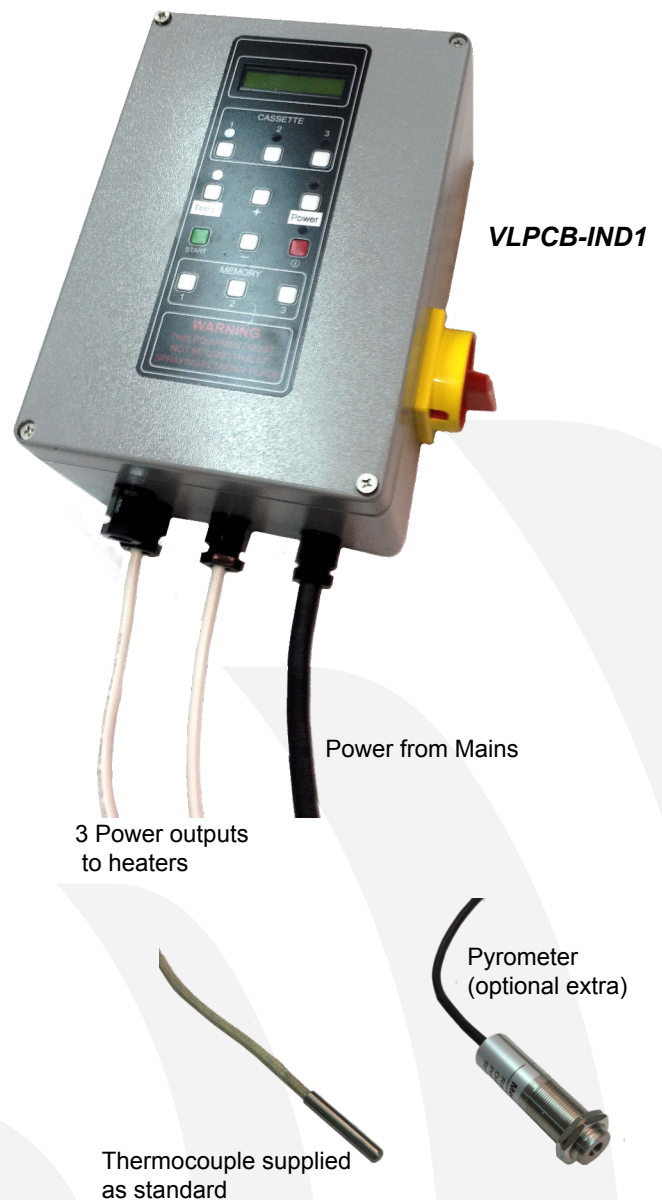
- For use in indoor applications
- Powder coated cast aluminium casing
- IP20 rated
- Temperature & Power settings
- 3 Memory setting options
- 3 Switchable Outputs
- Single-Phase / 3 Phase
- Easy installation

Applications

- Industrial process operations
- Warehouse heating
- Factory heating

Code	Finish	Colour
VLPCB-IND1	Casing only	RAL7032 Pebble Grey

Suitable for any electrical device with load up to 7.5kW.





Technical Data

VLPCB-IND1 7.5kW Controller

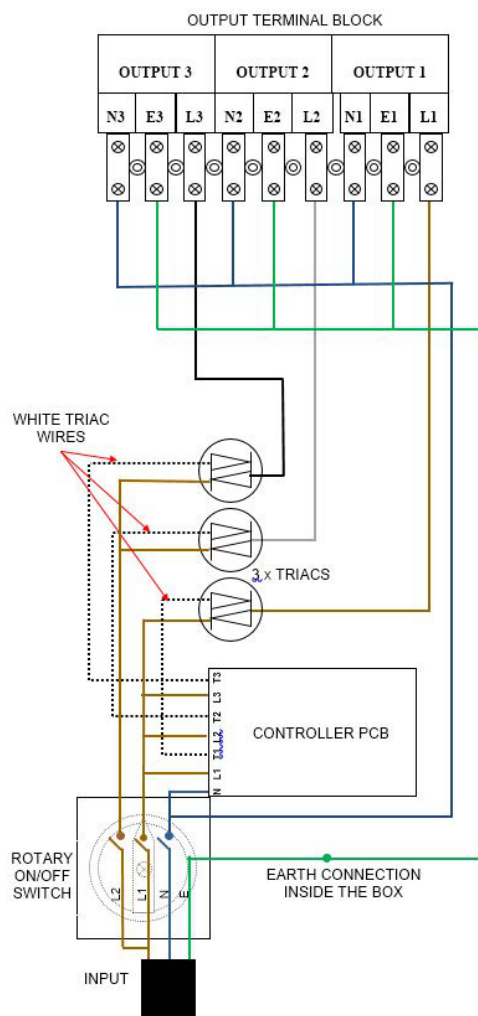
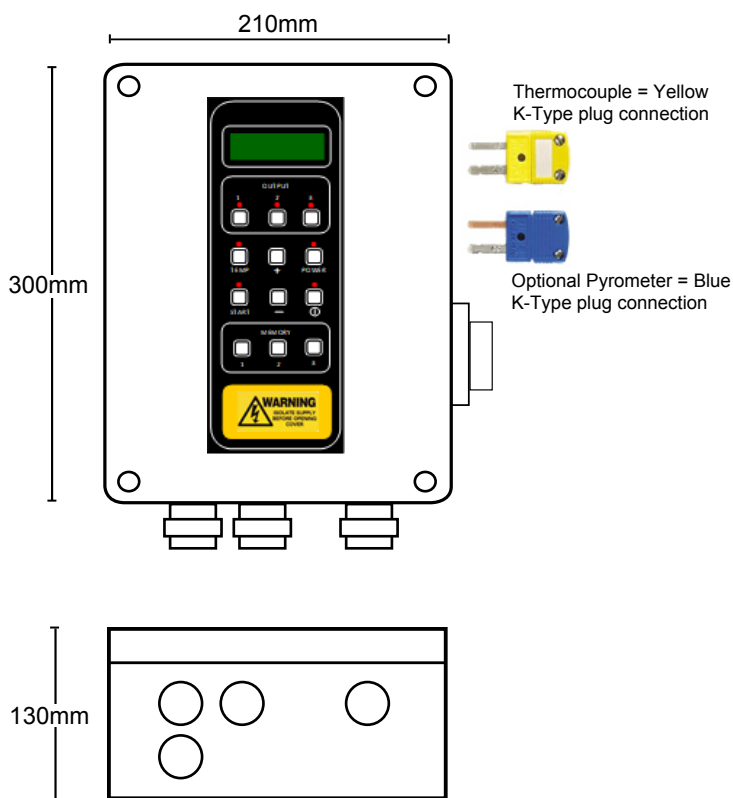
Specifications

Input Voltage: 220-240V Single-Phase, 50Hz
 Max.Power Rating: 7.5 kW
 Max.Current Rating: 32A
 Max. Load per Output terminal: 10.5A
 IP Rating: IP20
 Operating Temp: -20°C to + 50°C
 Weight: 0.6Kg (excluding input cables)
 Dimensions: 210mm Wide x 300mm High x 130mm Deep
 (excluding Switch & Cable Glands)

Temperature range setting: 10°C to 300°C
 Power range setting: up to 100%

A 3-phase version of this controller is also available, please contact us for further information and specifications

Wiring & Dimensions



Victory Lighting (UK) Ltd

www.victorylighting.co.uk | e sales@victorylighting.co.uk | t +44 (0)1525 815137

© Victory Lighting (UK) Ltd 2020
 The information contained in this literature is for general information purposes only. Victory Lighting (UK) Ltd endeavours to keep the information up to date and correct, but makes no representations or warranties of any kind, express or implied, about the completeness, accuracy, reliability, suitability or availability with respect to the information, products, services, or related graphics contained in this literature.

Victory Lighting (UK) Ltd accepts no liability for any loss or damage including without limitation, indirect or consequential loss or damage, or any loss or damage whatsoever arising from loss of data or profits arising out of, or in connection with, the use of this literature.

Distributed by