

VICTORY
INFRARED

Your Partner in IR
and UV Technology

VLP10 Infrared Paint Dryer





Victory VLP10 Infrared Paint Dryer

Victory's range of automotive paint dryers has many options for both large and small jobs. The VLP10 combines the flexibility of a hand held paint dryer with the benefits of a free standing heater. As a handheld unit it is perfect for small repairs, while used with a stand it becomes an ideal additional heat source or spot drying unit to complement larger systems.

The Victory VLP10 is ideal for use on small repairs and other drying jobs. It can be used hand held or mounted on a stand for many tasks such as engine drying, strip removal, filler drying, stone chip repairs and preheating prior to spraying.

Flexible, powerful drying

- Fitted with 1kW short wave Gold lamp
- Pistol grip handle
- Wide angle Hi-light reflector
- 3m of flexible cable\Built-in isolating switch
- Optional 1.8m (6ft) chrome plated stand
- Full height 'side and lock' heater bracket

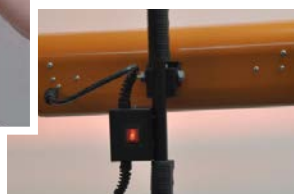
Applications

- Spot drying
- Engine drying
- Strip removal
- Filler drying
- Stone chip repairs
- Preheating prior to spraying



Pistol grip

Isolating switch



VLPTD

Optional 0-99 minute timer can control one or two VLP10 fittings.

VLP10S



Technical Data

VLP10 infrared dryer

Victory VLP10 range

Code		Watts
VLP10	Hand held	1000
VLP10S	Hand held with stand	1000
VLP10T	Two hand held units with one stand	2000
VLPTD	Timer	
1000STWIN	Twin bracket*	

Voltage: All 240V

* Enables 2 x VLP10 units to be positioned side by side on one stand.

VLP10 is part of Victory's range of paint dryers that cover small hand-held units to large area dryers. See the full range on www.victorylighting.co.uk or contact us for more information.

Supplied with

- Pistol grip handle
- 1kW lamp
- 3m cable

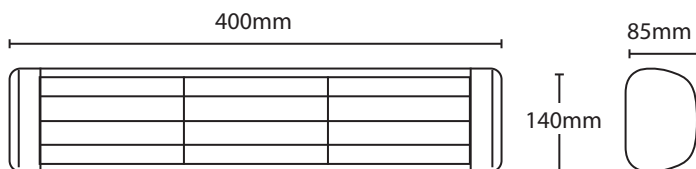
Optional

- 1.8m stand and slide and lock bracket
- Twin bracket to hold 2 units
- VLPTD 0-99 minute timer
- 110V version available on request

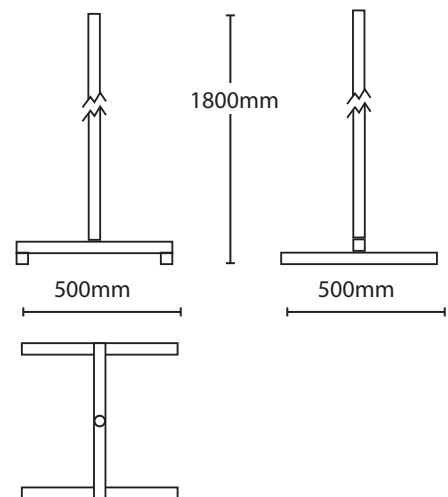


Dimensions

Dryer



Stand



VICTORY

www.victorylighting.co.uk | sales@victorylighting.co.uk
Unit 10, Chartmoor Road, Leighton Buzzard, LU7 4WG

© Victory Lighting (UK) Ltd 2024

The information contained in this literature is for general information purposes only. Victory Lighting (UK) Ltd endeavours to keep the information up to date and correct, but makes no representations or warranties of any kind, express or implied, about the completeness, accuracy, reliability, suitability or availability with respect to the information, products, services, or related graphics contained in this literature.

Victory Lighting (UK) Ltd accepts no liability for any loss or damage including without limitation, indirect or consequential loss or damage, or any loss or damage whatsoever arising from loss of data or profits arising out of, or in connection with, the use of this literature.

Distributed by

Contact us today

And learn more about our Infrared technology solutions

+44 (0) 1525 487960

sales@victorylighting.co.uk

victorylighting.co.uk

VICTORY
INFRARED

