



Victory Infrared Large Paint Dryers

Flexible, efficient, infrared
mobile paint dryers





Victory's range of large paint dryers utilises 1 & 1.5kW glare control lamps, configured in individual cassettes to yield up to 6kW of drying heat. The lamps emit short wave infrared heat which is ideal for optimising drying of water-based paints. These flexible systems allow each cassette to be adjusted and locked into position around the contours of the vehicle body, ensuring maximum area coverage. There are also options for temperature/distance sensors for ultimate controllability.

Fast and efficient

Victory Infrared large paint dryers use short wave infrared — the most environmentally efficient form of energy for paint drying. Efficiency increases of up to 90% are made over conventional systems and drying times are cut typically from 45 to 10 minutes. Faster throughput and lower energy costs give a rapid return on investment.

Victory short wave lamps are specifically tuned for paint drying and with proper care will comfortably last 20,000 hours.



Efficiency

The reflectors in Victory dryers have been carefully designed to maximise efficiency and evenly distribute heat over the widest possible target. A unique feature of the Heatlight system is that each cassette can be profiled to the curves of the target. The Heatlight system thus delivers incredibly efficient heating with the best possible paint finish.

For the ultimate flexibility and efficiency, the VLPV30 has two cassettes that can be independently rotated to achieve many different drying configurations.



Fit for the job: XL for larger vehicles

Modern vehicles, particularly SUVs, are increasingly tall. The Heatlight range therefore includes 'XL' versions which have extended reach and height.



Serviceability

Victory Heatlight dryers have been designed with the user in mind. They are very robust and durable, and all critical parts such as lamps and reflectors are easy to access for cleaning and replacement. All parts are stocked in the UK.

- Tried and tested over years and 1000s of installations
- Designed and engineered in the UK with longevity in mind
- Manufactured from top quality steel and aluminium
- Full warranty and easy to access spares
- Low glare lamps for eye safety in the workplace
- Lockable rear wheel castors
- Wide wheels to roll over gratings
- Individually switched cassettes giving great drying flexibility
- Horizontal or vertical cassette operation
- Long lamp life of up to 20,000 hours
- Locking gas strut to fix arm height
- Reduced energy consumption; no fans or filter changes

Full control and flexibility

Heatlight systems are highly flexible and users can choose a configuration to exactly suit their requirement. There are single phase and 3 phase options, and each has a choice of control options.



Control options

Standard controls

- 99 minute electronic programmable timer on both flash and bake settings.
- Temperature settable on both flash and bake cycle.
- 3 pre-set memory functions. Temperature display of time and setting of both flash and bake cycles.

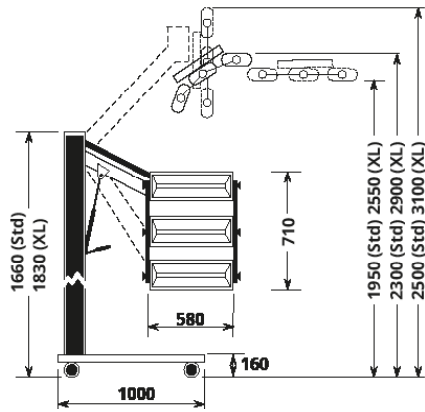
Standard controls + Distance / temperature sensors

- Temperature settable on both flash and bake cycle.
- Optical electronic digital feedback loop adjusts heat automatically during cycle.
- Digital distance readout with safety cut out if unit is moved too close.



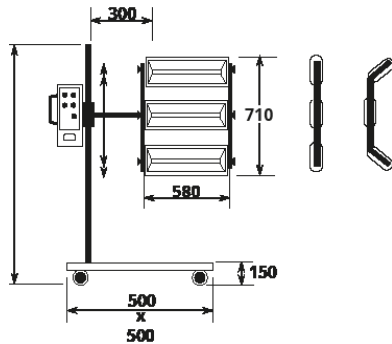
VLP30 3000W

A very flexible and durable system. It can be used in multiple positions thanks to a moveable head and adjustable cassette positions.



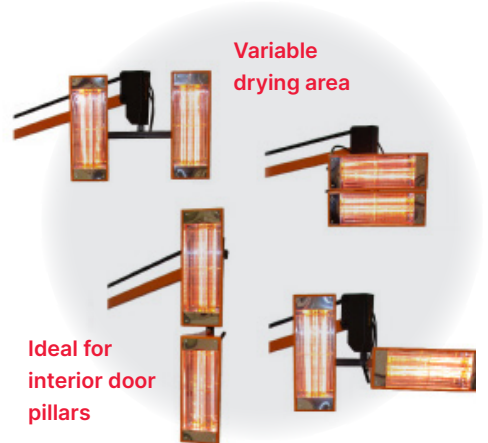
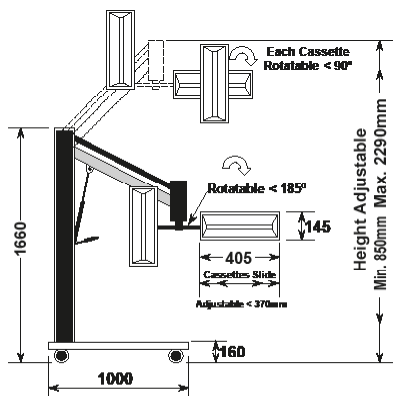
VLP30SL 3000W

Provides accelerated curing, even when space in the workshop is limited. A slimline design means easy mobility and extreme manoeuvrability. Three 1000W cassettes can be tilted and positioned to fit corners and curves.



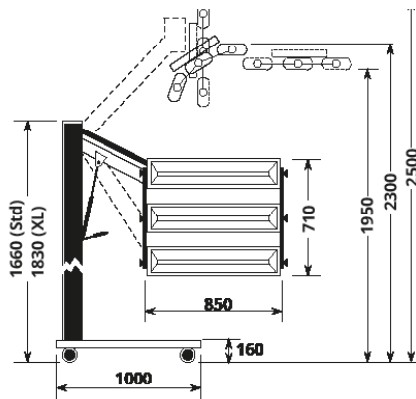
VLPV30 3000W

A very versatile system, with two 1500W independently manoeuvrable cassettes that enable drying area to be varied. Each can be rotated 270° and they are mounted on an arm which can rotate 180°, so many different configurations can be achieved.



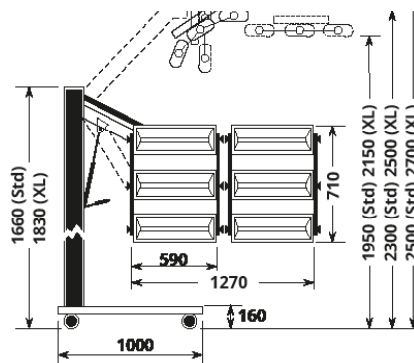
VLP45 4500W

A superbly configured system which has proved hugely popular due to its unique cassette length that enables an extra wide drying area of 1250mm at the minimum distance of 500mm.



VLP60 6000W

This system gives superb performance and a huge drying area of 2000mm x 1000mm.



Need something smaller?

If you need to supplement your system with more compact dryers for small items or local drying, the answer is Victory's Small Paint Dryers.

With 1kW or 2kW versions, and hand held or portable options, these are ideal for those smaller jobs.

Ask us for details, or go to www.victorylighting.co.uk



* Illustration is approximate

Victory's Range

Watts	STANDARD SIZE				XL SIZE			
	Single phase		3 phase		Single phase		3 phase	
	Standard	Std + Distance / temp.	Standard	Std + Distance / temp.	Standard	Std + Distance / temp.	Standard	Std + Distance / temp.
3000	VLP30	VLP30DSTS	VLP30-3P	VLP30DSTS-3P	VLP30XL	VLP30DSTSXL	VLP30-3PXL	VLP30DSTS-3PXL
3000	VLP30SL	VLP30SL-DSTS	VLP30SL-3P	VLP30SL-DSTS3P	—	—	—	—
3000	VLPV30	—	VLPV30-3P	—	—	—	—	—
4500	VLP45	VLP45DSTS	VLP45-3P	VLP45DSTS-3P	VLP45XL	VLP45DSTSXL	VLP45-3PXL	VLP45DSTS-3PXL
6000	VLP60	VLP60DSTS	VLP60-3P	VLP60DSTS-3P	VLP60XL	VLP60DSTSXL	VLP60-3PXL	VLP60DSTS-3PXL

Technical data

	VLP30	VLP30SL	VLPV30	VLP45	VLP60
Wattage (W)	3000	3000	3000	4500	6000
Area of cover (mm)	800×1000	800×1000	Variable	1250×1000	2000×1000
Minimum operating distance (mm)	500				
Supply voltage (V)	200 – 240 50/60Hz				
Single phase current (A)	12.5	12.5	12.5	18.75	25.0
3 phase current / phase (A)	4.25	4.25	4.25	6.25	8.3

Replacement lamps

Victory lamps are suitable for other manufacturers' dryers, as well as Victory dryers. This table gives the references.

Drier Manufacturer / Lamp Type	Model / Application	Voltage & Wattage	Victory part no.
IRT / Clear	13713X / All IRT Applications	220 / 240V 1000W	64241027
Trisk / Ruby Jacket	Hotspot, ETSHT	220 / 240V 850W	64248531
Trisk / Ruby Jacket	CM3, ETS2, ETS5	220 / 240V 1000W	54241037
Trisk / Ruby Jacket	ETS3	220 / 240V 1500W	6424153B

VICTORY

www.victorylighting.co.uk | sales@victorylighting.co.uk
Unit 10, Chartmoor Road, Leighton Buzzard, LU7 4WG

Distributed by

© Victory Lighting (UK) Ltd 2024

The information contained in this literature is for general information purposes only. Victory Lighting (UK) Ltd endeavours to keep the information up to date and correct, but makes no representations or warranties of any kind, express or implied, about the completeness, accuracy, reliability, suitability or availability with respect to the information, products, services, or related graphics contained in this literature.

Victory Lighting (UK) Ltd accepts no liability for any loss or damage including without limitation, indirect or consequential loss or damage, or any loss or damage whatsoever arising from loss of data or profits arising out of, or in connection with, the use of this literature.