



VPH infrared panel heater

For stylish heating for modern living, there is no better solution than Victory's VPH panel heater for those areas demanding discreet heating without any light.



VPH panel heaters emit longwave infrared, which creates warmth, without any light. Perfect for discreet, on-demand heating and ideal for offices, restaurants, bars, reception areas, or at home - anywhere where unintrusive heating is needed.



Discreet controllable heat

- Warmth without light
- Remote control
- Dimmable

VPH heaters include a remote control on/off/3-stage dimmer (Low/Medium/High). They are finished in an attractive, modern natural anodised finish and are fitted with a 3m long silicone HO5SS-F mains supply cable and supplied with wall/ceiling brackets.

Typical Applications

- Restaurants
- Bars
- Offices
- Waiting Rooms
- Hospitals & Surgeries
- Reception areas
- Beauty Salons
- Theatres
- Photographic studios
- Boardrooms
- Home





VPH range

Code	Watts (W)	Length (mm)	Width (mm)	Height (mm)	Weight (kg)
VPH18	1800	1187	217	53	7.3
VPH24	2400	1487	217	53	9.2

Voltage: 220-240V ~ 50-60Hz

Supplied with

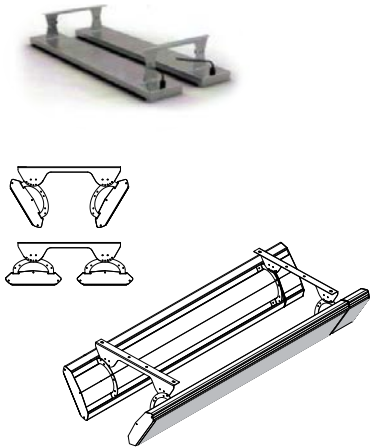
- 3m silicone HO5SS-F mains supply cable
- Wall/ceiling brackets.

Optional extra

- Double side-by-side bracket
- Double end-to-end-bracket
- Rear extension bracket

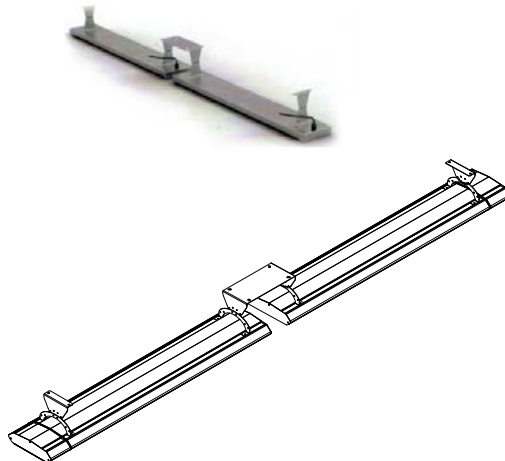
VPHB1

Double side-by-side bracket



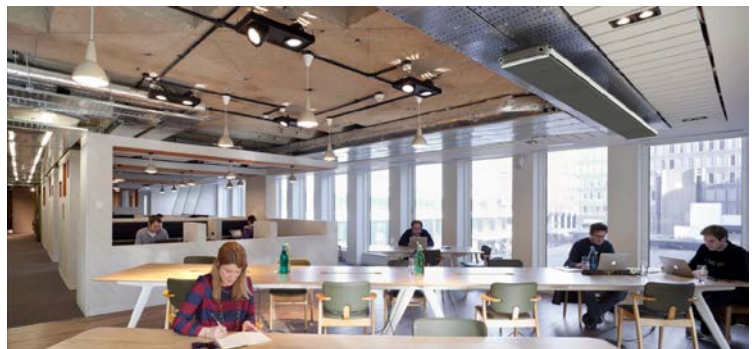
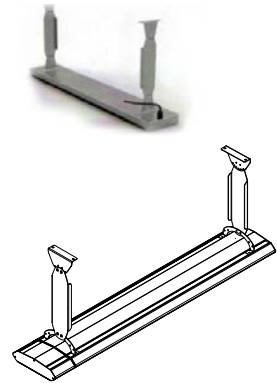
VPHB2

End-to-end bracket



HLPB3

Rear extension bracket



© Victory Lighting (UK) Ltd 2016

The information contained in this literature is for general information purposes only. Victory Lighting (UK) Ltd endeavours to keep the information up to date and correct, but makes no representations or warranties of any kind, express or implied, about the completeness, accuracy, reliability, suitability or availability with respect to the information, products, services, or related graphics contained in this literature.

Victory Lighting (UK) Ltd accepts no liability for any loss or damage including without limitation, indirect or consequential loss or damage, or any loss or damage whatsoever arising from loss of data or profits arising out of, or in connection with, the use of this literature.