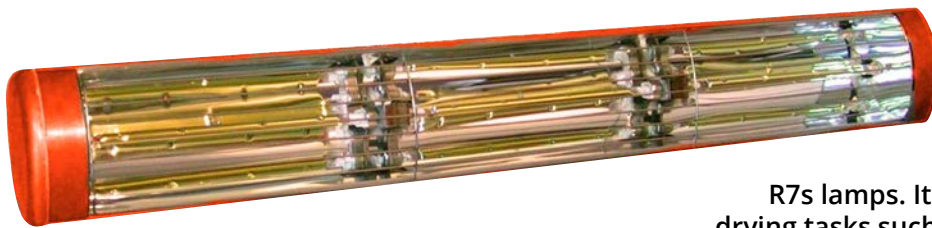




## Heatlight VLP15 infrared paint dryer

Victory's Heatlight range of automotive paint dryers has many options for both large and small jobs. The VLP15 is a three-lamp stand-mounted automotive paint dryer, perfect for small repairs, or as an additional heat source or spot drying unit to complement larger systems. Lowered on its stand, it is ideal for drying hard-to-reach areas such as sills, bumpers and lower areas of the vehicle.

**Heatlight**  
DRYING SOLUTIONS



VLP15

The Heatlight VLP15 is a single cassette unit fitted with 3 x 500W Gold shortwave infrared

R7s lamps. It can be used for many small drying tasks such as engine drying, strip removal, filler drying, stone chip repairs and preheating prior to spraying.

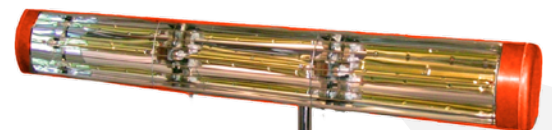
### Flexible, efficient drying

- Fitted with 3 x 500W Short wave Gold lamps
- Wide angle Hi-light reflector
- 3m of flexible cable
- Built-in isolating switch
- Optional (6ft) chrome plated stand
- Full height 'side and lock' heater bracket
- R7s lamps for easy lamp change

### Applications

- Spot drying
- Engine drying
- Strip removal
- Filler drying
- Stone chip repairs
- Preheating prior to spraying

Isolating switch



VLP15S



VLPTD

0-99 minute  
timer option





# Technical Data

## VLP15 infrared dryer

### Heatlight VLP15 range

Code		Watts
VLP15	Cassette only	1500
VLP15S	Cassette with stand	1500
VLP15ST	Cassette with stand and timer	1500
VLPTD	Timer only	

Voltage: All 240V

VLP15 is part of Victory's Heatlight range of paint dryers that cover small hand-held units to large area dryers. See the full range on [www.victorylighting.co.uk](http://www.victorylighting.co.uk) or contact us for more information.

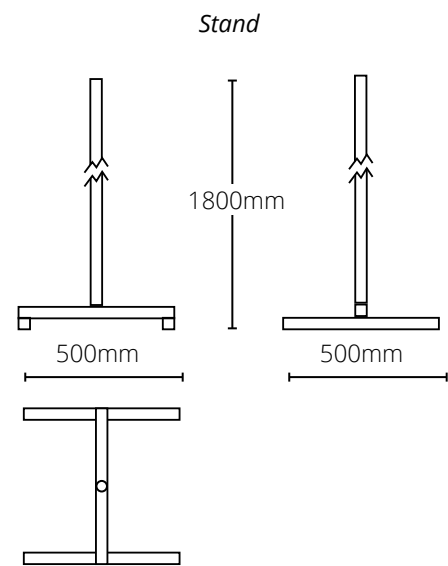
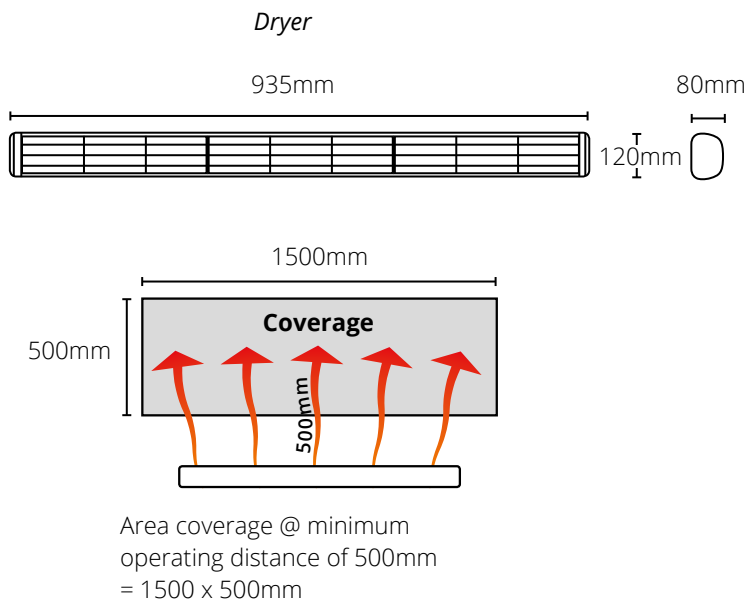
#### Supplied with

- 3 x 500W lamps
- 3m cable

#### Optional

- 1.8m stand and slide and lock bracket
- VLPTD 0-99 minute timer

### Dimensions



## VICTORY

Victory Lighting (UK) Ltd  
Unit 3, Eastman Way, Hemel Hempstead, Hertfordshire HP2 7DU  
[www.victorylighting.co.uk](http://www.victorylighting.co.uk) | [e sales@victorylighting.co.uk](mailto:sales@victorylighting.co.uk) | [t +44 \(0\)1442 215200](tel:+441442215200)

© Victory Lighting (UK) Ltd 2016  
The information contained in this literature is for general information purposes only. Victory Lighting (UK) Ltd endeavours to keep the information up to date and correct, but makes no representations or warranties of any kind, express or implied, about the completeness, accuracy, reliability, suitability or availability with respect to the information, products, services, or related graphics contained in this literature.

Victory Lighting (UK) Ltd accepts no liability for any loss or damage including without limitation, indirect or consequential loss or damage, or any loss or damage whatsoever arising from loss of data or profits arising out of, or in connection with, the use of this literature.

Distributed by